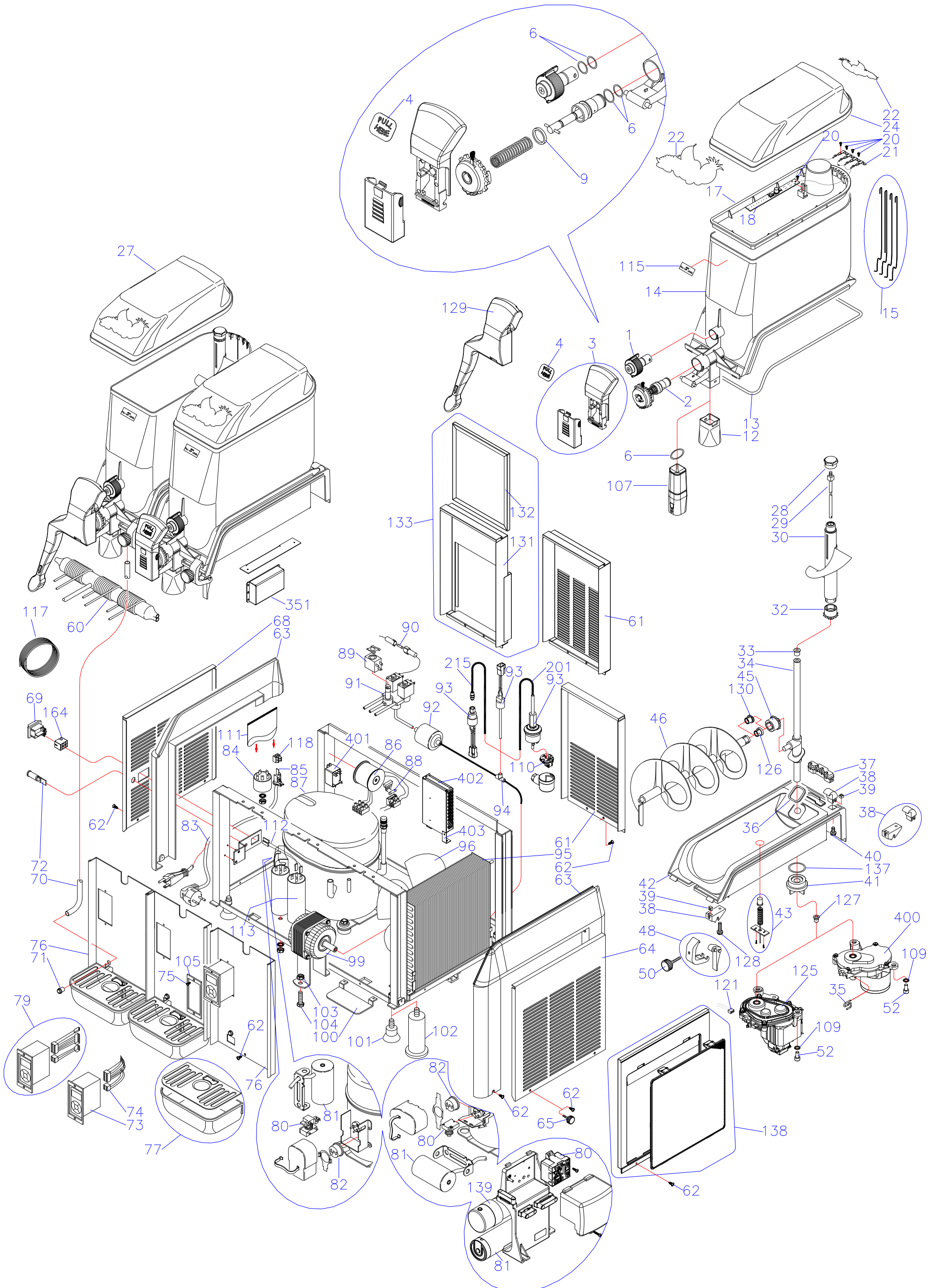
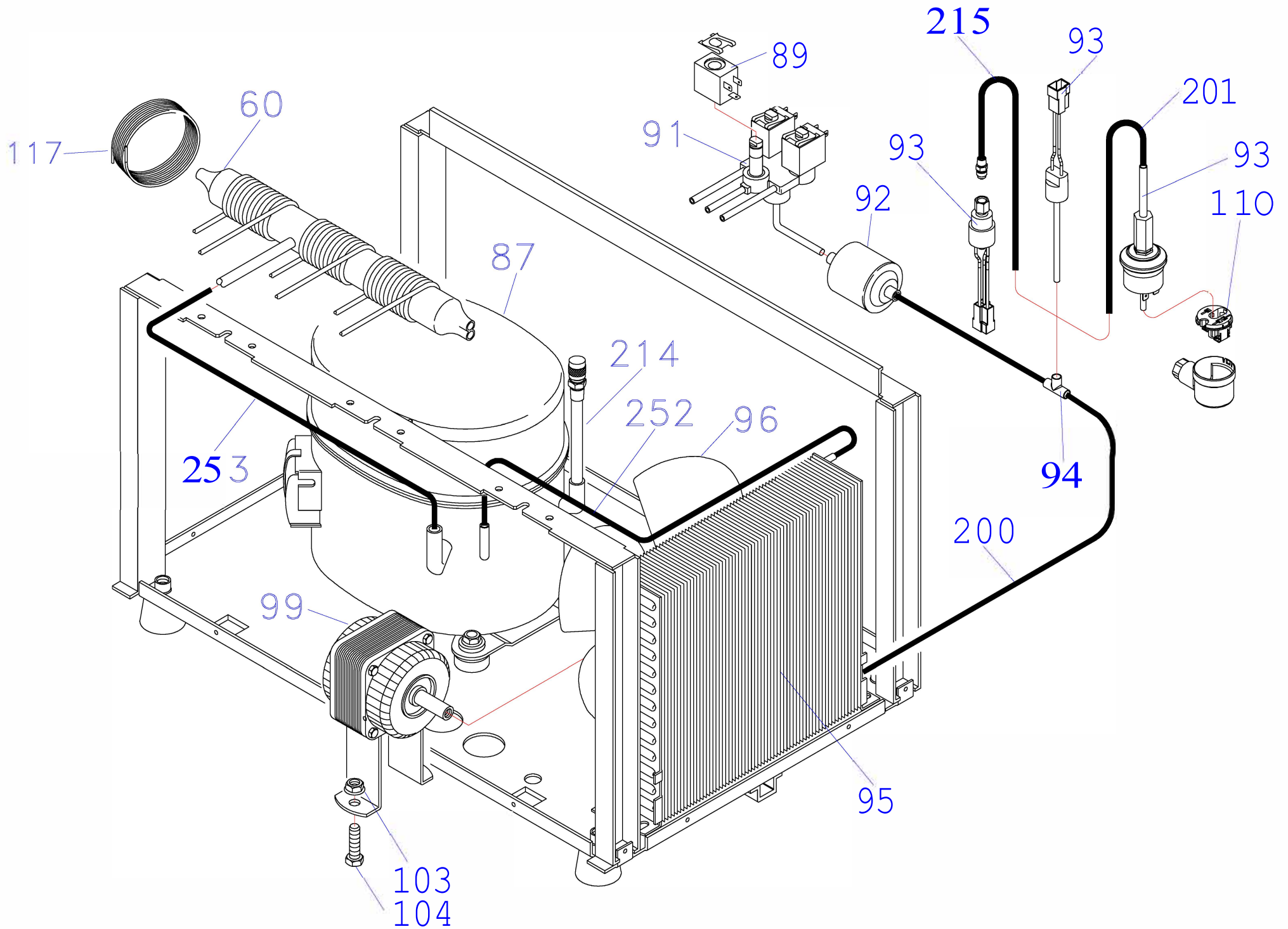


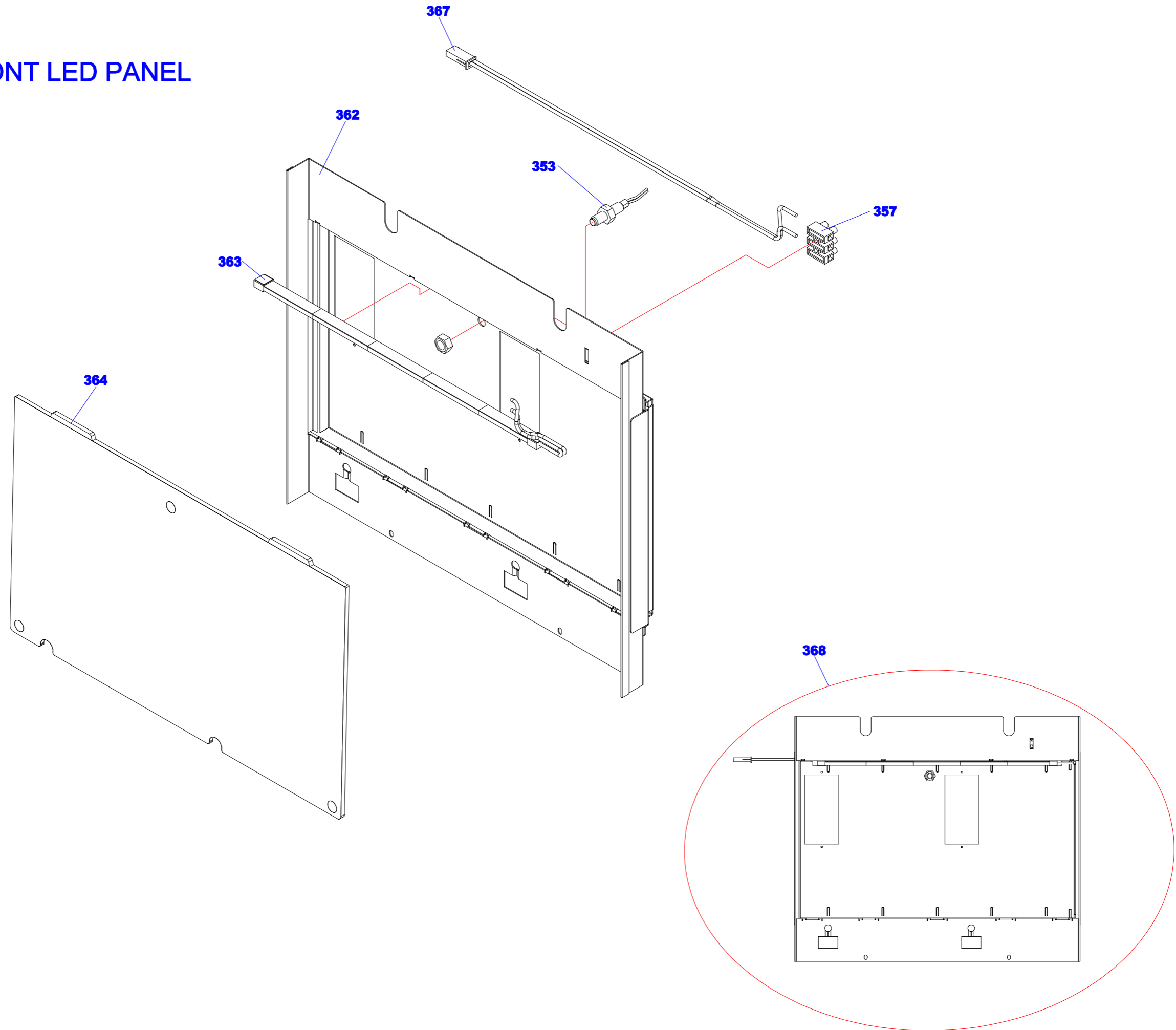
FIRST CLASS 07_2024



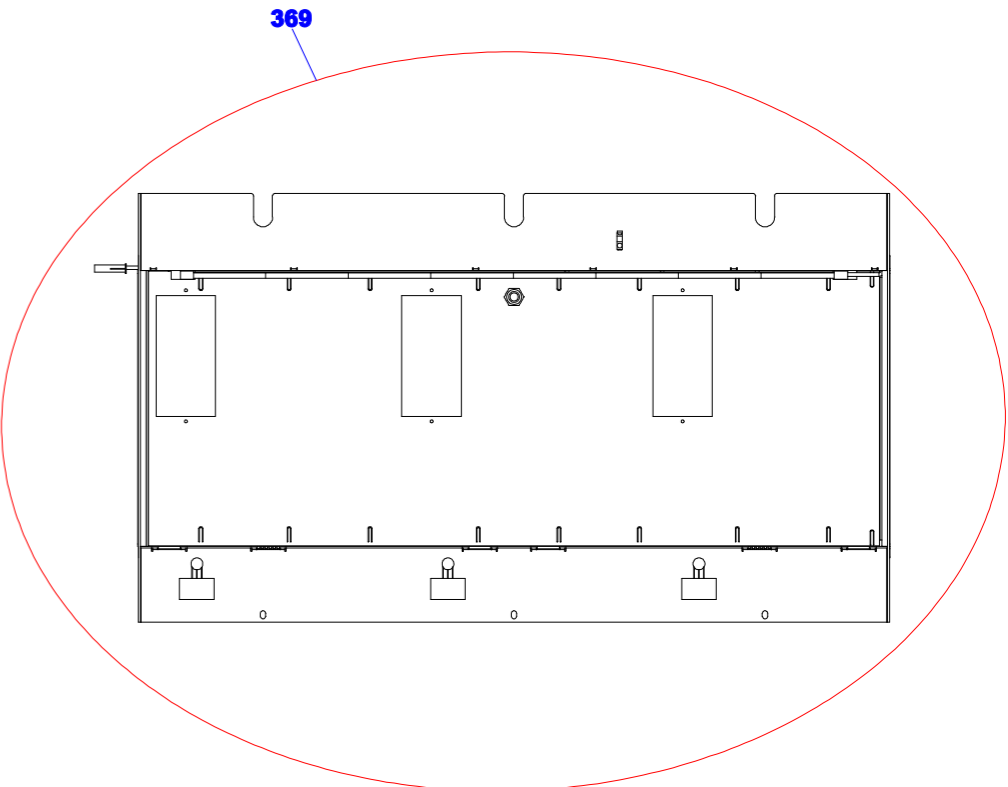
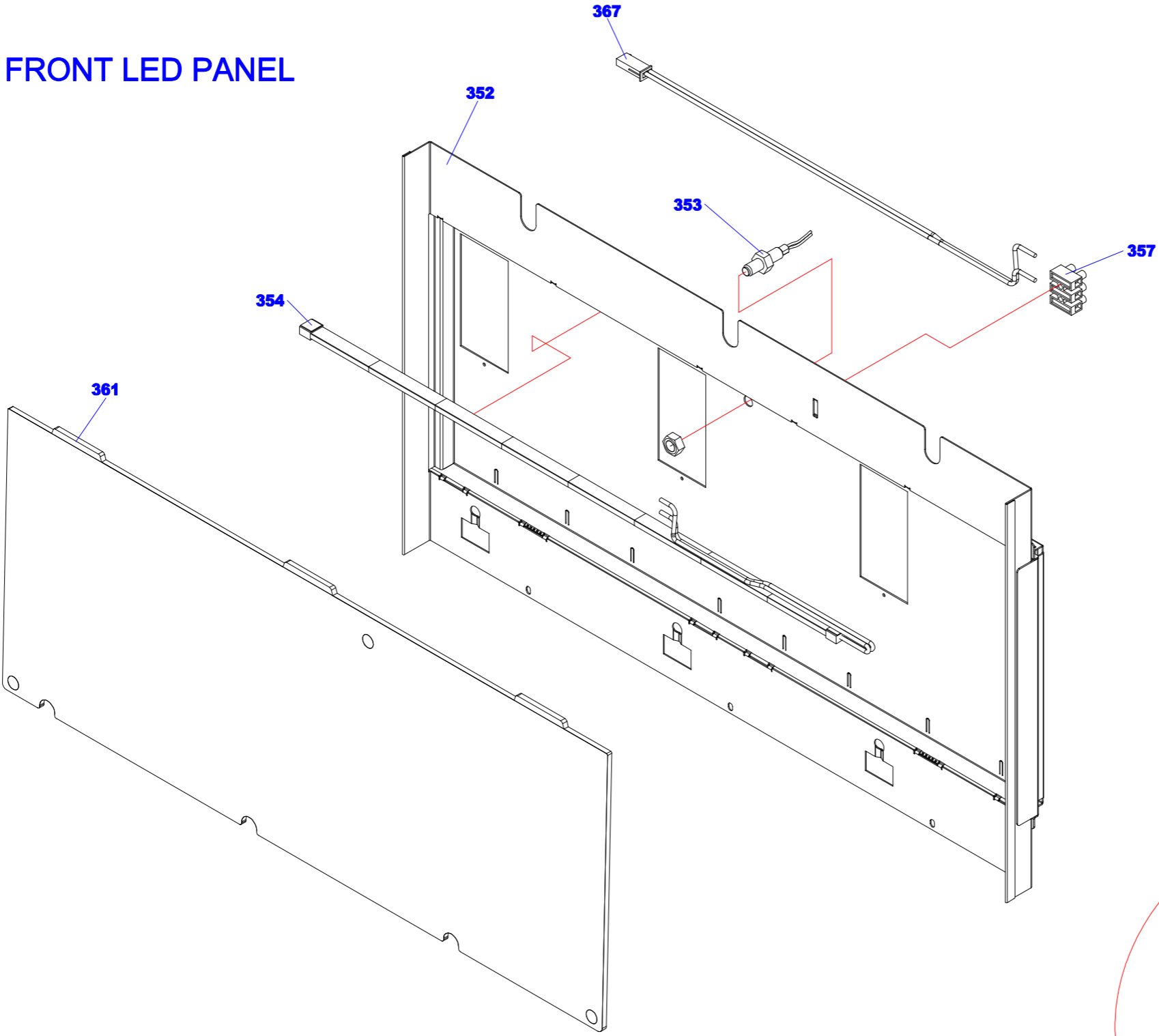
FIRST CLASS AIR



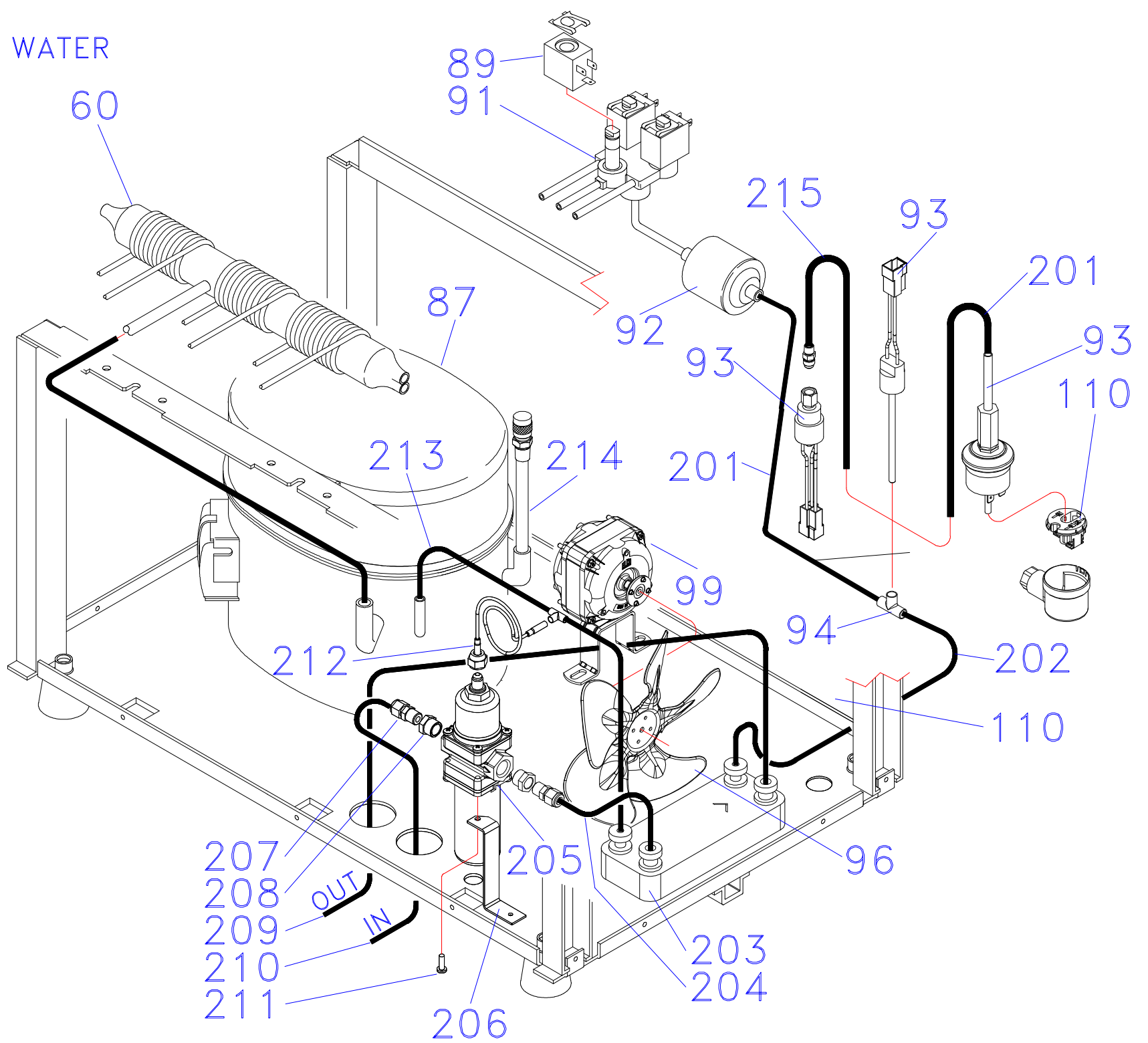
FIRST CLASS 2 FRONT LED PANEL



FIRST CLASS 3 FRONT LED PANEL



FIRST CLASS WATER



PART#	Exploded View	DESCRIPTION	model FC1	model FC2	model FC3
M0004109-002	1	RING NUT HORIZONTAL AUGER FC+BB 2 ORING	*	*	*
M0003126-005	2	RING NUT LEVER COVER PISTON 2 ORING FV (GLASS FABER)	*	*	*
M0003139-001	3	BLACK HANDLE AND COVER 2012 VERSION	*	*	*
A0006111-001	4	"PULL HERE" STICKER	*	*	*
OR13000117	6	O-RING 117	*	*	*
M0003117-001	9	OUTLET BACK GASKET	*	*	*
M0006134-002	12	DISPENSING SPOUT CUP VERSION	*	*	*
M0000106-002	13	RED GASKET TANK	*	*	*
M0000147-003	14	TRANSPARENT TANK	*	*	*
M0005159-001	15	LOW VOLTAGE CONTACT WIRES KIT	*	*	*
M0006108-001	17	LAMP GLASS	*	*	*
MG005101-001	18	9 LED LAMP 12VAC/24VDC	*	*	*
VTT2.9X9.5CR	20	SCREW TC 2.9X9.5	*	*	*
M0005109-001	21	12V CONTACT FOR TANK	*	*	*
M0006129-001	22	PLASTIC LENS STICKER	*	*	*
M0006193-004	24	BLACK LID NEW	*	*	*
M0006193-008	24	WHITE LID NEW	*	*	*
M0006125-008	27	YELLOW TOP LIGHT COVER COMPLETE	*	*	*
M00061129-001	27	BLACK TOP LIGHT COVER COMPLETE NO STICKER	*	*	*
M0000107-001	28	FC/BB RING NUT VERTICAL PROPELLER	*	*	*
M0000108-001	29	TRANSMISSION SHAFT WITH NUT	*	*	*
M0004111-002	30	VERTICAL AUGER COMPLETE OF BUSHING	*	*	*
M0004104-001	32	PINION VERTICAL AUGER UNTIL S/N 140502075	*	*	*
M0004104-002	32	PINION VERTICAL AUGER FROM S/N 140502076	*	*	*
M0000104-001	33	BUSHING TRANSMISSION SHAFT	*	*	*
M0000161-002	34	TRANSMISSION SHAFT WITH SLEEVE+ORING 2014 VERSION	*	*	*
A0001104-001	35	GEAR MOTOR/TRANSMISSION SHAFT PIN	*	*	*
A0000114-001	36	TRANSMISSION SHAFT ORING 2012 VERSION	*	*	*
M0005117-004	37	BLACK TERMINAL BOARD COMPLETE	*	*	*
A0006141-001	38	KIT BLACK REAR HINGE + BLACK BASE	*	*	*
M0000120-001	39	M5 SQUARE NUT	*	*	*
M0001101-001	40	SCREW TE 5X12MM	*	*	*
M0000105-001	41	RING NUT SHAFT FASTENING	*	*	*
M0002112-007	42	BLACK COMPLETE INOX TANK	*	*	*
M0000157-002	43	ELECTRONIC THERMOSTAT PROBE COMPLETE	*	*	*
M0004105-002	45	HORIZONTAL AUGER GEAR	*	*	*
M0004110-002	46	HORIZONTAL AUGER COMPLETE OF BUSHING 2012 VERS.	*	*	*
A0006142-001	48	KIT BLACK HINGE HOOK + FRONT HINGE	*	*	*
M0006119-001	50	LOCKING BOLT	*	*	*
M0000122-001	52	SCREW 6X12	*	*	*
M0102112-001	60	FC1 ACCUMULATOR	*		
M0202115-001	60	FC2 ACCUMULATOR (3MTX1.06MM)		*	
M0302119-001	60	FC3 ACCUMULATOR (5MTX1.06MM)			*
M0006112-001	61	BACK STAINLESS STEEL PANEL WITH LOUVERS		ST_ALLML_A ML_W GREEN G404	ST_ALLML_A ML_W GREEN G404
M0106108-001	61	BACK STAINLESS STEEL PANEL WITH HOLES - FC1	*		
M0006124-001	62	SCREW 3.9X9.5	*	*	*
M0006192-004	63	KIT PLASTIC PANEL RIGHT\LEFT BLACK	*	*	*
M0006192-010	63	KIT PLASTIC PANEL RIGHT\LEFT WHITE	*	*	*
M0006113-001	64	RIGHT SIDE STAINLESS STEEL PANEL WITH LOUVERS	ML_A GREEN G404	ML_W	ML_W
M0006159-001	64	RIGHT SIDE PANEL WITH HOLES (CONDENSER SIDE) - 42°C	ML_TR	ML_TR	ML_TR
A0006102-001	65	KNOB SIDE PANEL		*	*
M0006198-001	68	LEFT SIDE PANEL WITH LOUVERS AND MAIN SWITCH+PRESSURE SWITCH LIGHT	ML_A	ML_A ML_W	ML_A ML_W
I82L2206165	69	MAIN SWITCH	*	*	*
TSC8X11	70	DRAIN SILICON TUBE f 8X11MM	*	*	*
B06.031C	71	DRAIN PLASTIC CONNECTION	*	*	*
A0005105-001	72	COMPRESSOR WARNING RED LIGHT 115V	ST_ALL ML_ALL GREEN G404	ST_ALL ML_ALL GREEN G404	ST_ALL ML_ALL GREEN G404
A0005105-002	72	GREEN LIGHT WARNING COMPRESSOR 110V		GREEN G404	GREEN G404
M0005167-001	73	MILLENNIUM ELECTRONIC BOARD ENGLISH	ML_ALL	ML_ALL	ML_ALL
M0005167-002	73	MILLENNIUM ELECTRONIC BOARD SPANISH	ML_ALL	ML_ALL	ML_ALL

PART#	Exploded View	DESCRIPTION	model FC1	model FC2	model FC3
M0005166-005	73	FC GREEN ELECTRONIC BOARD ENGLISH 34EN2	GREEN G404	GREEN G404	GREEN G404
M0005166-006	73	FC GREEN ELECTRONIC BOARD SPANISH 34SP2	GREEN G404	GREEN G404	GREEN G404
M0005166-007	73	FC GREEN ELECTRONIC BOARD FRENCH 34FR2	GREEN G404	GREEN G404	GREEN G404
M0105101-001	74	FC1 STANDARD ELECTRICAL WIRING	ST_ALL		
M0205101-001	74	FC2 STANDARD ELECTRICAL WIRING		ST_ALL	
M0305101-001	74	FC3 STANDARD ELECTRICAL WIRING			ST_ALL
M0105103-001	74	MILLENNIUM ELECTRICAL WIRING FC1	ML_ALL		
M0205103-002	74	MILLENNIUM ELECTRICAL WIRING FC2		ML_ALL	
M0305103-002	74	MILLENNIUM ELECTRICAL WIRING FC3			ML_ALL
M0105104-001	74	FC1 GREEN ELECTRICAL WIRING	GREEN G404		
M0205104-001	74	FC2 GREEN ELECTRICAL WIRING		GREEN G404	
M0305105-001	74	FC3 GREEN ELECTRICAL WIRING			GREEN G404
M0005135-001	75	SCREW 2.9X9.5	*	*	*
M0006111-003	76	STAINLESS STEEL FRONT PANEL	*	*	*
A0006140-001	77	KIT BLACK DRIP TRAY+ BLACK PLASTIC DRIP TRAY FC-BB	ALL	*	*
M0005127-003	79	ELECTR. FC MILL + KIT UPGRADE STD	ST_ALL	ST_ALL	ST_ALL
A5405102-001	80	RELAY NEK2125GK 115V/60HZ-100V/50HZ 2283039	ST_ALL ML_ALL		
M5605101-001	80	RELAY NT2178GK 115V/60HZ 1253050		ST_ALL ML_ALL	ST_A ST_W ML_A ML_W
A5405105-001	80	RELAY NEK2134U 115V R290 2271155	GREEN		
A5605105-001	80	RELAY NEU2168U 115V R290 1253069		GREEN	GREEN
COND2252096	81	START CAPACITOR NE2125GK 115V/60Hz-100V/50HZ	ST_ALL ML_ALL		
A5405103-001	81	START CAPACITOR NEK2125GK 115V/60HZ-100V/50HZ 2252217	ST_ALL ML_ALL		
M5605103-001	81	START CAPACITOR NT2178GK 115V/60HZ 2252273		ST_ALL ML_ALL	ST_A ST_W ML_A ML_W
A5405106-001	81	START CAPACITOR NEK2134U115V R290 2252324	GREEN		
A5605106-001	81	START CAPACITOR NEU2168U115VR290 225230C		GREEN	GREEN
A5605107-001	81	RUN CAPACITOR NEU2168U 115V R290 2253314		GREEN	GREEN
M5605102-001	82	THERMAL PROTECTOR NT2178GK 115V/60HZ 2291058		ST_ALL ML_ALL	ST_A ST_W ML_A ML_W
A5405101-001	82	THERMAL PROTECTOR NEK2125GK 115V/60HZ-100V/50HZ 2321080	ST_ALL ML_ALL		
A5405104-001	82	OLP THERMAL PROTECTOR NEK2134U 115V R290 2324063	GREEN		
A5605104-001	82	OLP THERMAL PROTECTOR NEU2168U 115V R290 2321081		GREEN	GREEN
CAVOAL.UL15ALAV	83	POWER CORD 115 V U.L. FOR USA	*	*	*
M0005112-002	85	CONNECTION FOR SUPPLYING WIRING	*	*	*
A0005112-001	86	TRANSFORMER 60VA 115-230/12Vac	ST_ALL ML_ALL	ST_ALL ML_ALL	ST_ALL ML_ALL
A5402101-001	87	NEK2125GK 115V/60HZ-100V/50HZ COMPRESSOR	ML_A		
M5602101-001	87	COMPRESSOR NT2178GK 115/60 922EG0204AF CSCR		ST_ALL ML_ALL	ST_A ST_W ML_A ML_W
A5402104-001	87	COMPR. NEK2134U 115/60 862AG71M9AJ	GREEN		
M5602104-001	87	COMPRESSOR NEU2168U 115/60 CSR		GREEN	GREEN
F11584	88	FUSE 5A 5X20	*	*	*
AA005102-001	89	OLAB COIL 120/50-60 UL 11000BH/G6IU-2	*	*	*
A0005103-001	90	FUSE F315MA 5X20	*	*	*
A0102103-002	91	OLAB 1 WAY BODY VALVE	*		
A0302101-002	91	OLAB 3 WAY BODY VALVE NC DN1,2 K09122-A			*
A0202102-002	92	OLAB 2 WAY BODY VALVE		*	
A0002113-001	92	DRYER	*		
M0602115-001	92	DRYER SOLID CORE		*	*

PART#	Exploded View	DESCRIPTION	model FC1	model FC2	model FC3
A0002101-001	93	R404A PRESSURE SWITCH G63P5081600	ST_ALL ML_ALL G404	ST_ALL ML_ALL G404	ST_ALL ML_ALL G404
A0002123-002	93	R404A PRESSURE SWITCH NSDHM00D12100	ST_ALL ML_ALL G404	ST_ALL ML_ALL G404	ST_ALL ML_ALL G404
A0002122-002	93	R290 PRESSURE SWITCH NSDHA11B13101	GREEN	GREEN	GREEN
TEEDIRAMED6	94	D.6 CUPPER TEE	*	*	*
C082036007	95	IRON CONDENSER STFT 16224		ST_A ML_A	ST_A ML_A
M0102111-001	95	IRON CONDENSER STFT 14T 2R 145A" FC1	ML_A		
M0602103-001	95	IRON CONDENSER STFT 18224/245		ST_TR ML_TR	ST_TR ML_TR
M0102110-001	96	ALUMINUM FAN BLADE 172/34°	ML_A		
V4012016M3/2	96	ALUMINUM FAN BLADE 254/31°		ST_TR ML_TR	ST_A ML_AST_T R ML_TR
V4012201M3WBM	96	ALUMINUM FAN BLADE 200/34°		ST_W ML_W	ST_W ML_W
LA105103-001	99	ELECTRONIC FAN 17231ABT 110V UL 150*38	*		
A5605103-001	99	ELECTRONIC FAN MOTOR 20WR 115V EC205B000000		*	*
AL005101-001	99	MOT.ELE HILO 15W 90-240V 50/60 ATEX		ML_W	ML_W
AL605101-001	99	ELECTRONIC FAN MOTOR HILO 26W 90-240V 50/60 ATEX		*	*
M0001104-002	100	DRIP TRAY BRACKET	*	*	*
PAR114-ELGR	101	SMALL RUBBER FEET	*	*	*
A5601101-001	102	U.S.A. FEET		*	*
DADOD.6ZFL	103	M6 NUT	*		
DADOD.8ZFL	103	M8 NUT		*	*
VTTE6X12Z	104	SCREW 6X12	*		
VTTE8X16Z	104	SCREW 8X16		*	*
M0005134-001	105	BOARD BOX	*	*	*
M0003130-001	107	OUTLET RESTRICTION	*	*	*
M0000144-001	109	WASHER FOR GEAR MOTOR'S SCREW D.6,3	*	*	*
A0005110-001	110	PRESSURE SWITCH CONNECTION WIRES for A0002101-001	*	*	*
M0000124-001	111	CONNECTION WIRES COVERING BAG	*	*	*
M0005142-001	112	ELECTRICAL KIT OF CONDENSERS FOR POWER FACTOR IMPROVEMENT			*
A0006103-001	115	MAXIMUM LEVEL STICKERS	*	*	*
A0002105-001	117	FC1 CAPILLARY 0,91MMX2,75MT	*		
M0005151-001	118	POWER CORD SCREW TERMINAL BOARD	*	*	*
C0005101-001	121	OPTICAL/MAGNETIC READER WIRE	ST_A	ST_A	ST_A
M0005139-003	125	COMPLETE GEAR MOTOR WITH HALL SENSOR KENTA	ST_ALL ML-ALL	ST_ALL ML- ALL	ST_ALL ML- ALL
M0005139-002	125	COMPLETE GEAR MOTOR WITH HALL SENSOR ELCO	ST_ALL ML-ALL	ST_ALL ML- ALL	ST_ALL ML- ALL
M0004102-002	126	HORIZONTAL AUGER BUSHING 2012 VERS.	*	*	*
A0000117-001	127	GEAR MOTOR BUSHING	*	*	*
A0000115-001	128	SCREW TE M5X20MM	*	*	*
M0003138-001	129	HANDLE FOR DISABLE PEOPLE	*	*	*
M0004102-001	130	HORIZONTAL AUGER BUSHING	*	*	*
M0106124-001	131	FC1 BACK PANEL FOR AIR FILTER	*		
M0106127-001	132	FC1 REMOVABLE AIR FILTER	*		
M0106128-001	133	KIT PANEL+AIR FILTER FOR FC1	*		
B0004116-001	137	GEAR SILICON GASKET OR2093	*	*	*
X0606101-001	138	KIT BLACK PLASTIC PANEL + AIR FILTER		*	*
M5605104-001	139	RUN CAPACITOR NT2178GK 115V/60HZ 2253315		ST_ALL ML_ALL	ST_A ST_W ML_A ML_W
A0005106-001	164	MOLEX CONNECTOR FOR MAIN SWITCH	*	*	*
M5602102-001	200	KIT COPPER PIPE D.6MM AIR CONDENSER-TEE-FILTER FC2/3		ST_A ST_TR ML_A ML_TR	ST_A ST_TR ML_A ML_TR
M0102121-001	200	KIT COPPER PIPE D.6MM AIR CONDENSER-TEE-FILTER FC1	*		
M0102114-001	201	COPPER PIPE D.6MM TEE - PRESSOSTAT SWITCH A0002101-001	ST_ALL ML_ALL G404	ST_ALL ML_ALL G404	ST_ALL ML_ALL G404

PART#	Exploded View	DESCRIPTION	model FC1	model FC2	model FC3
M0602114-001	202	KIT COPPER PIPE D.6MM WATER CONDENSER-TEE-FILTER FC2W/3W		ST_W ML_W	ST_W ML_W
CB5X8M2/3W	203	WATER CONDENSER		ST_W ML_W	ST_W ML_W
M0602107-001	204	PRESSURE SWITCH VALVE COPPER PIPE D.8 -AIR CONDENSER		ST_W ML_W	ST_W ML_W
A0602102-001	205	PRESSURE SWITCH VALVE WVFX1025		ST_W ML_W	ST_W ML_W
A0600101-001	206	PRESSURE SWITCH VALVE SUPPORT		ST_W ML_W	ST_W ML_W
NIPLES+RACCOR	207	BRASS NIPLES 1/4" D.8MM		ST_W ML_W	ST_W ML_W
M0602108-001	209	WATER OUTPUT COPPER PIPE D.8MM		ST_W ML_W	ST_W ML_W
M0602106-001	210	WATER INPUT COPPER PIPE D.8MM		ST_W ML_W	ST_W ML_W
VTTCSX16CRIN	211	SHAFT FASTENING SCREW - PRESSURE SWITCH VALVE		ST_W ML_W	ST_W ML_W
M0602110-001	212	CAPILLARY COPPER PIPE TEE - PRESSURE SWITCH VALVE		ST_W ML_W	ST_W ML_W
M0602113-001	213	KIT COPPER PIPE D.6MM COMPRESSOR-TEE-WATER CONDENSER FC2W/3W		ST_W ML_W	ST_W ML_W
A0002112-001	214	CHARGE VALVE +COPPER PIPE D.6MM 26,5CM FC2/3		*	*
A0002111-001	214	CHARGE VALVE +COPPER PIPE D.6MM 16,5CM FC1		*	*
M0002113-001	215	COPPER PIPE D.6MM TEE - PRESSOSTAT SWITCH A0002123-002	ST_ALL ML_ALL G404	ST_ALL ML_ALL G404	ST_ALL ML_ALL G404
M0202102-001	252	COMPRESSOR COPPER PIPE D.6MM - AIR CONDENSER		ST_A ST_TR ML_A ML_TR	ST_A ST_TR ML_A ML_TR
M0102103-001	252	COMPRESSOR COPPER PIPE D.6MM - AIR CONDENSER	*		
M0102107-001	253	BOYLER COPPER PIPE D.6MM - COMPRESSOR	*		
M0005168-001	351	GREEN-MILLENIUUM "MACHINE MODULE"	*	*	*
M0306140-003	352	KIT FRONT PANEL FC3 AISI430+ALLUM.			GREEN G404
B0005105-001	353	SENSOR REED MEDER MK11/M8-BV14649		GREEN G404	GREEN G404 GREEN G404
M0306137-001	354	STRIP LED 24VDC 500MM 120LED/M IP67			GREEN G404
M93CSGRFB	357	CONNECTION FOR WIRING PA10HDS 12P		GREEN G404	GREEN G404
M0306135-001	361	FRONT GRAPHIC PANNEL FC3 BLU BEVERAGE			GREEN G404
M0306135-002	361	FRONT GRAPHIC PANNEL FC3 NO GRAPHIC			GREEN G404
M0306135-003	361	FRONT GRAPHIC PANNEL FC3 SLUSH PUPPIE			GREEN G404
M0206135-003	362	KIT FRONT PANEL FC2 AISI430+ALLUM.		GREEN G404	
M0206136-001	363	STRIP LED FC2 24VDC 318MM 128LED/M IP67		GREEN G404	
M0206133-002	364	FRONT GRAPHIC PANNEL FC2 NO GRAPHIC		GREEN G404	
MG605101-001	367	WIRING LED PANEL-ALIM. SWITCHING		GREEN G404	GREEN G404
M0206134-004	368	COMPLETE KIT FRON PANEL FC2GREEN WITH 1LED		GREEN G404	
M0306138-004	369	COMPLETE KIT FRON PANEL FC3 GREEN WITH 1LED			GREEN G404
A0005122-003	400	BRUSHLESS GEAR MOTOR FC-BB	GREEN G404	GREEN G404	GREEN G404
AA005101-002	401	COMPRESSOR POWER RELAY 115V ATEX		GREEN G404	GREEN G404
M0605105-001	402	POWER SWITCHING 100-240/24 LRS150-24 + FIXING BRACKETS		GREEN G404	GREEN G404
A0105102-001	402	POWER SWITCHING 100-240/24 LRS 50-24 + FIXING BRACKETS	GREEN G404		

PART#	Exploded View	DESCRIPTION	model FC1	model FC2	model FC3
L0201110-001	403	FIXING BRACKETS	GREEN G404	GREEN G404	GREEN G404
A0005116-001		KIT WIRES. PRESSOSTAT G63 + Terminals Locking Fork	ST_ALL ML-ALL	ST_ALL ML-ALL	ST_ALL ML-ALL
M0106103-002		FC1 Packaging	*		
M0206103-002		FC2 Packaging		*	
M0306103-002		FC3 Packaging			*